

BULLETIN NO.: 08 - 80

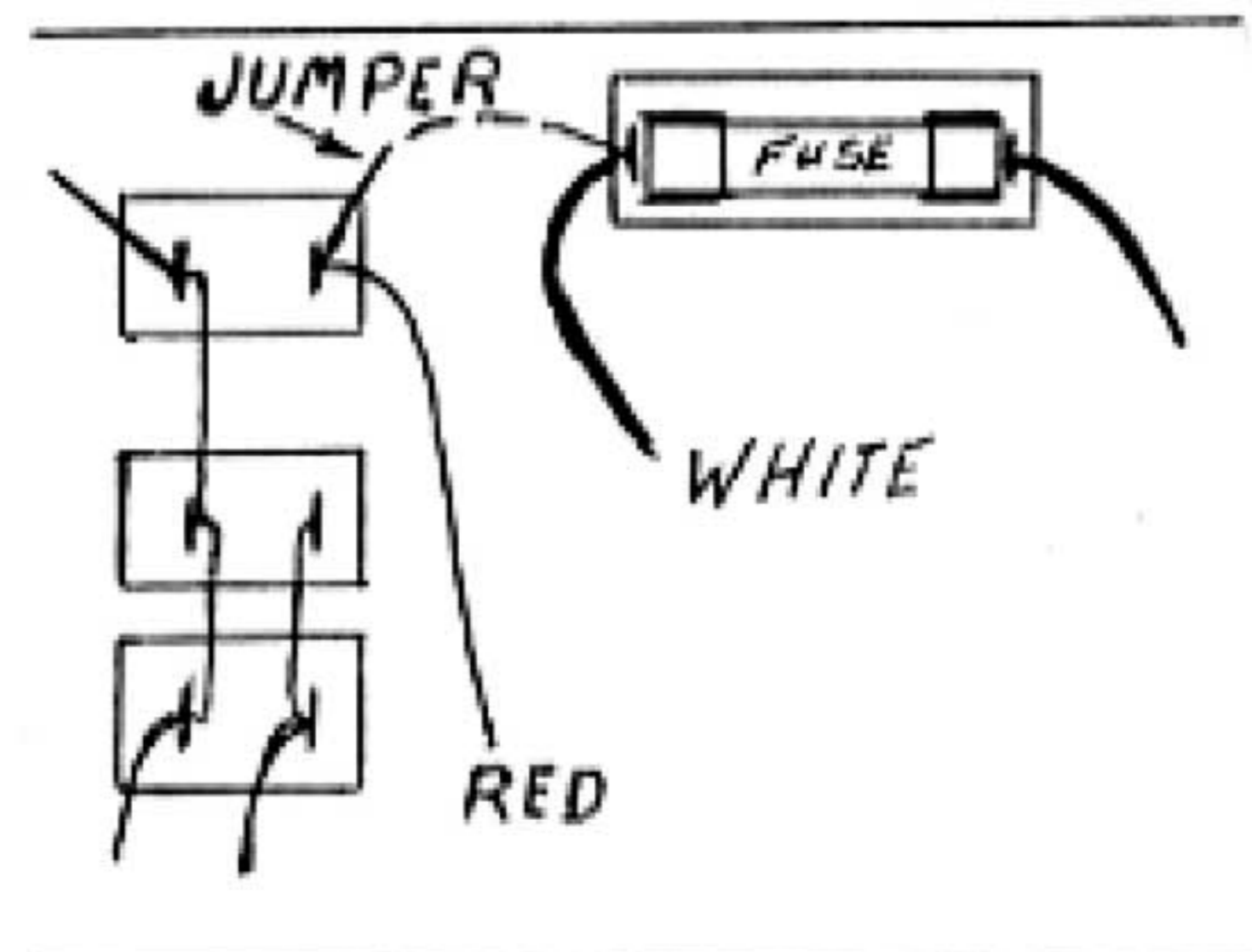
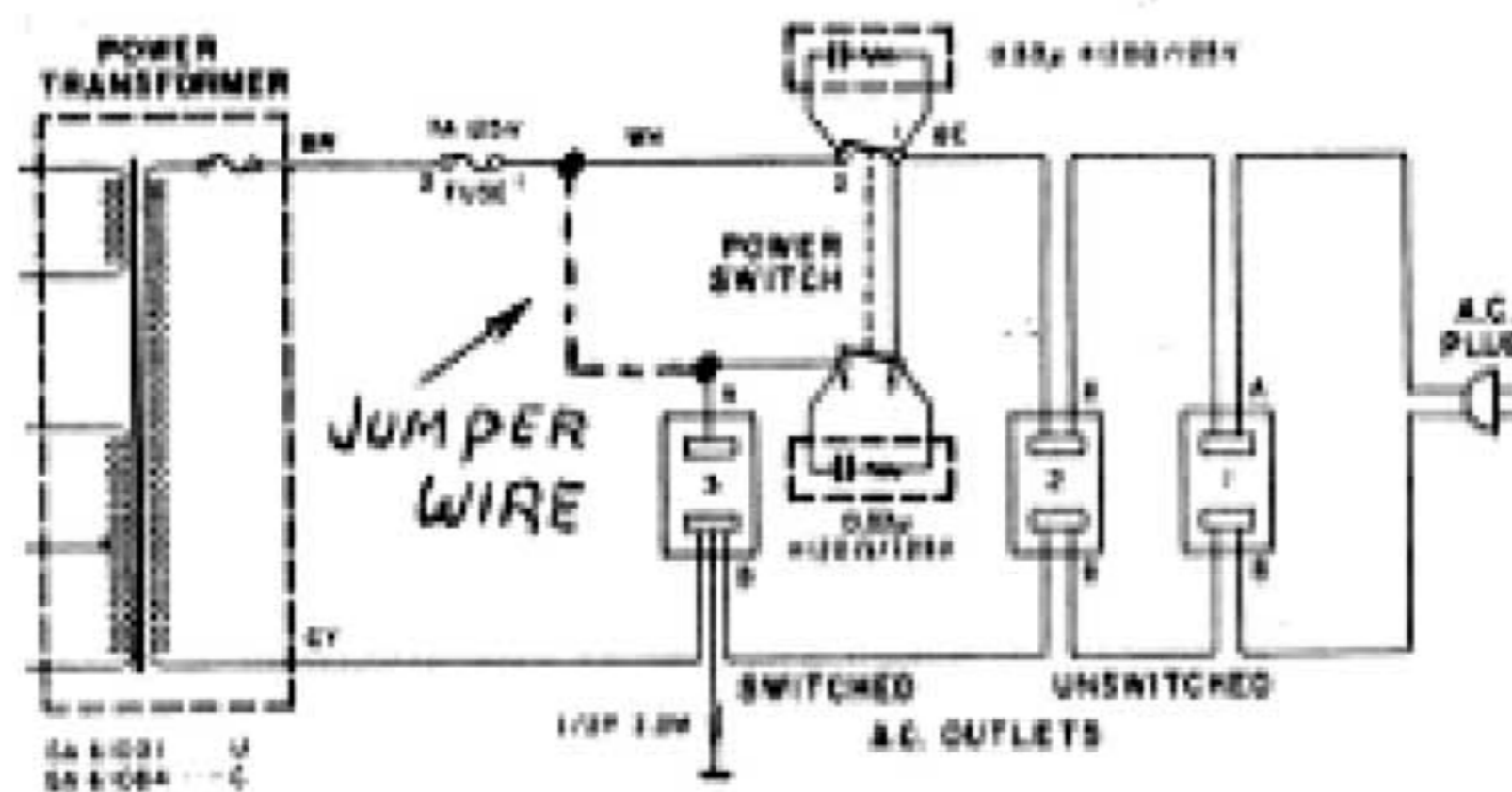
DATE: November 10, 1980.

SUBJECT: CR-2020

Problem: Power switch failure.

Cause: Pitting and burning of switch contact due to high current spike when set is switched off. (Back E.M.F. from power transformer).

Remedy: Replace power on/off switch (KA200630).  
Install a jumper wire between the fuse holder (white wire) and the switched AC outlet (red wire).



Install the jumper wire on all units received for service that have not been modified.

BULLETIN NO.: 07-81

DATE: August 1981.

SUBJECT: CR-2020

Problem: Intermittent power supply.  
Receiver goes on and off, speaker relay clicking.

Cause: R 801 and R 802 (33 ohm) in electrolytic capacitor circuit board get hot and unsolder themselves.

Remedy: Remove both resistors and install new 33 ohm, 3 $\frac{1}{4}$  watt wire wound resistors.

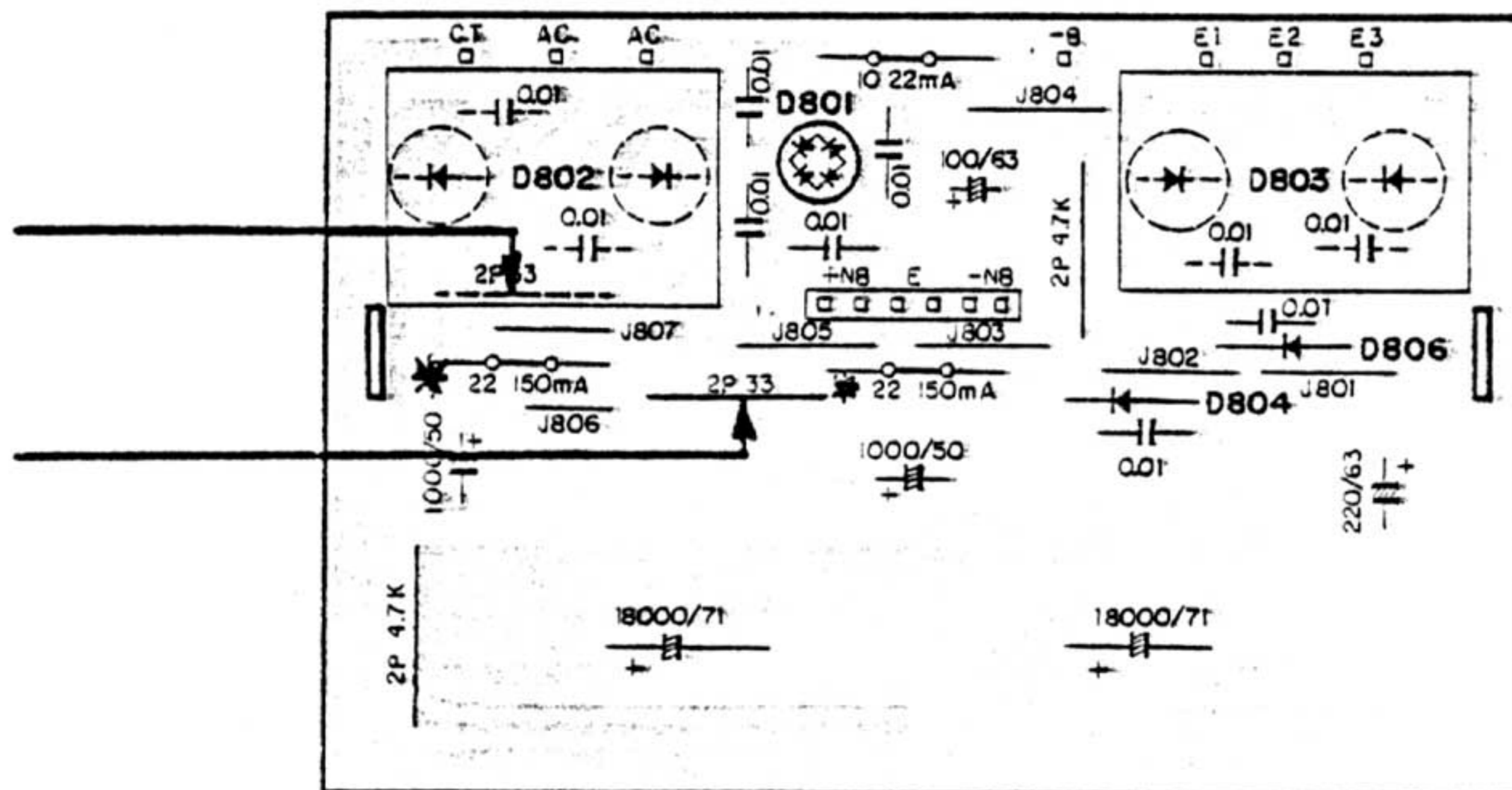
Mount the resistors approximately  $\frac{1}{4}$  inch away from the circuit board.

We suggest to use Ohmite #4374. These resistors are available from Yamaha Canada Music, Parts Department.

\* Also replace the 22 ohm 150 mA fuse resistors with Ohmite #4369 22 ohm 3 $\frac{1}{4}$  watt resistors.

Location of resistors:

### ELECTROLYTIC CAP. C. BOARD



Please file this bulletin with your CR-2020 service manual and perform this modification on all units received for service.

This bulletin supercedes bulletin 2-79 March 28, 1979 and 2-79 Rev. November 10, 1980.

**YAMAHA**  
**CANADA**  
MUSIC LTD.

# AUDIO SERVICE

*Information*

BULLETIN NO:

08 - 81

DATE:

November 1981.

SUBJECT: CR-2020

PROBLEM: Power Supply Failure

CAUSE: R801 and R802 (33 ohm 2 watt resistors)  
FR801 and FR802 (150ma 22 ohm fuse resistors)  
on electrolytic capacitor circuit board.  
R801 and R802 get very hot and unsolder themselves.  
FR801 and FR802 change resistance value.

TR712 and TR715 regulator transistors 2SD234 on power  
supply circuit board breakdown due to overheating.

REMEDY: Remove R801 and R802 resistors and replace with 33 ohm  
3/4 watt ohmite resistors #4374.

Remove FR801 and FR802 fuse resistors and replace with  
22 ohm 3/4 watt ohmite resistors #4369.

Remove TR712 and TR715 - 2SD234 regulator transistors  
and replace with 2SD525 transistors.

NOTE: Check and complete this modification on all CR-2020  
receivers brought in for service.

Please also refer to service bulletins  
"08-80 Power Switch Failure" and  
"07-81 Intermittant Power Supply".